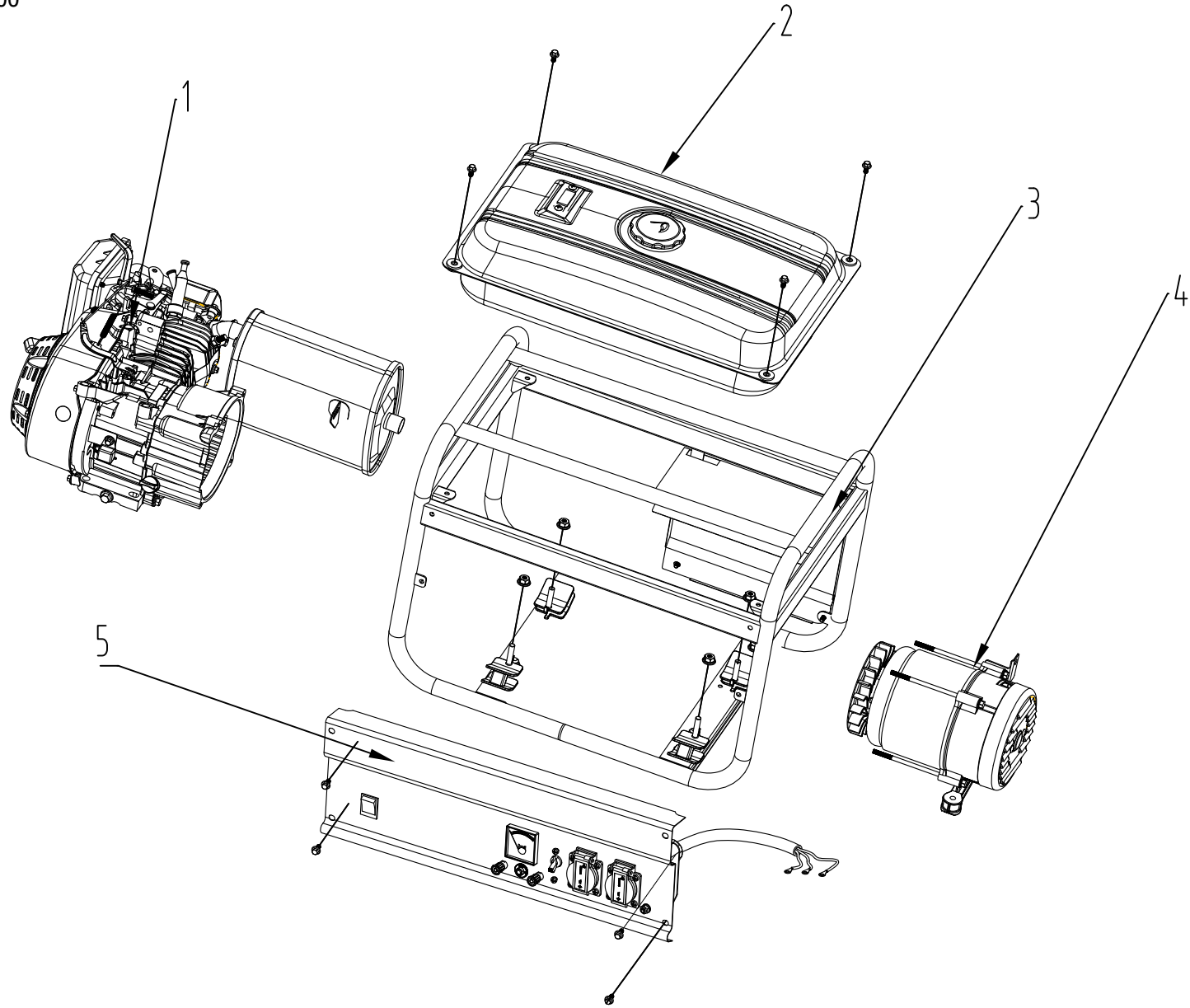
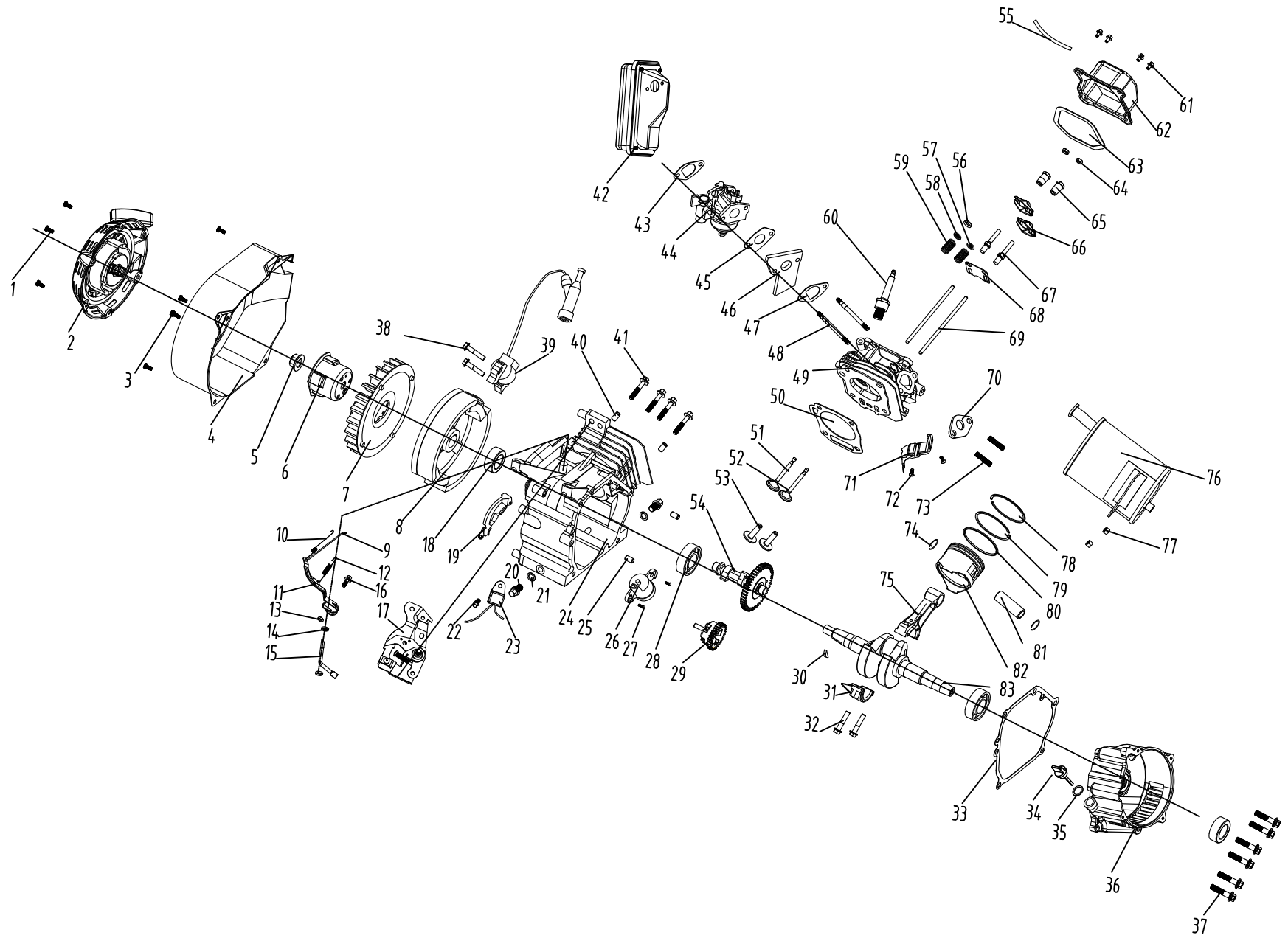


Esploso 65122P PT3000

HYUNDAI



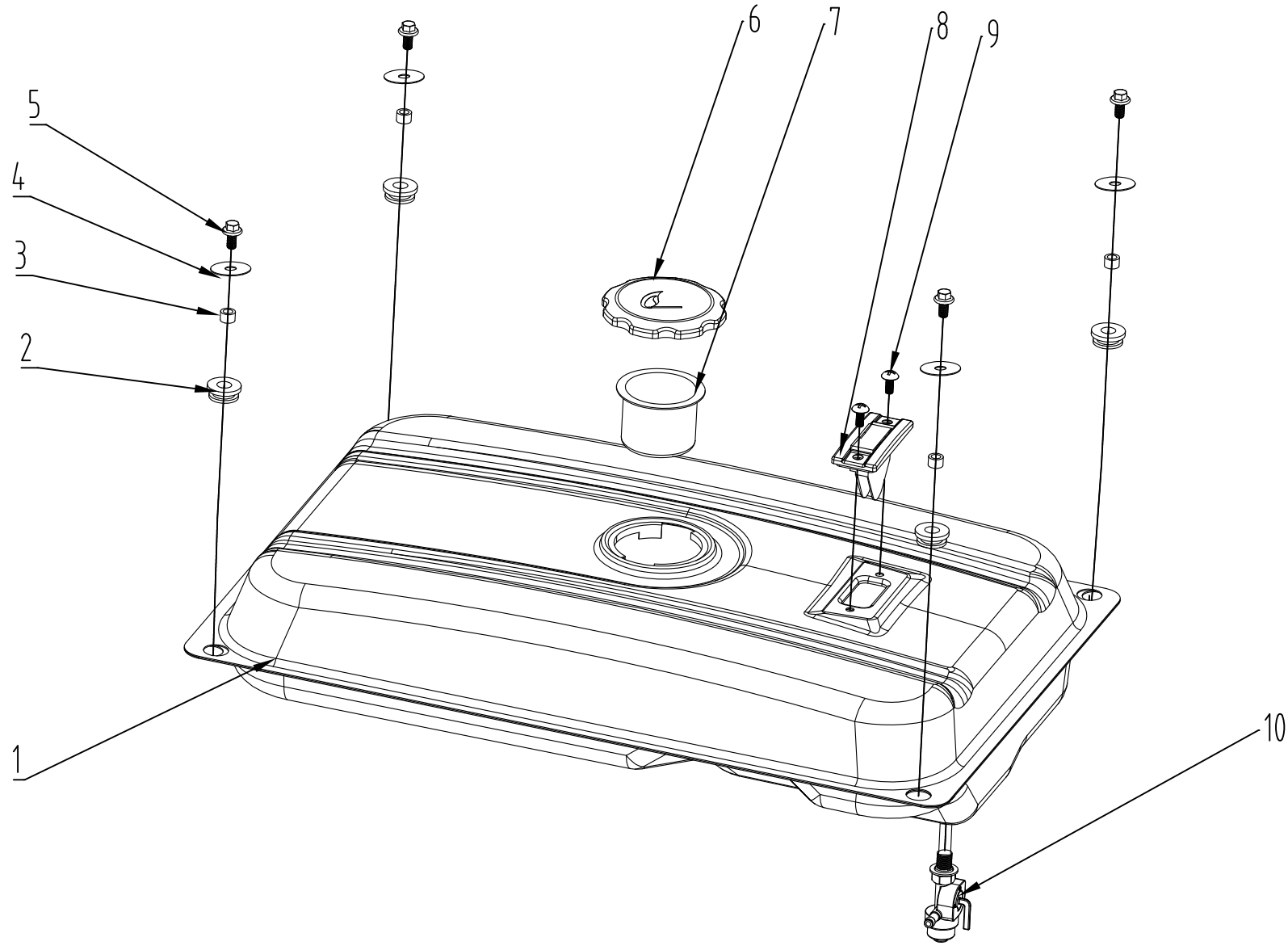
Itemref	Quantity	Title/Name, designation, material, dimension etc	Article No./Reference		
Designed by XXX	Checked by XXX	Approved by - date XXX - 00/00/00	Filename Exploder	Date	Scale 1:1
Generator Exploder					
				Edition 0	Sheet 1/7



Itemref	Quantity	Title/Name, designation, material, dimension etc		Article No./Reference	
Designed by XXX	Checked by XXX	Approved by - date XXX - 00/00/00	Filename Exploder	Date	Scale 1:1
Gasoline Exploder				Edition 0	Sheet 2/7

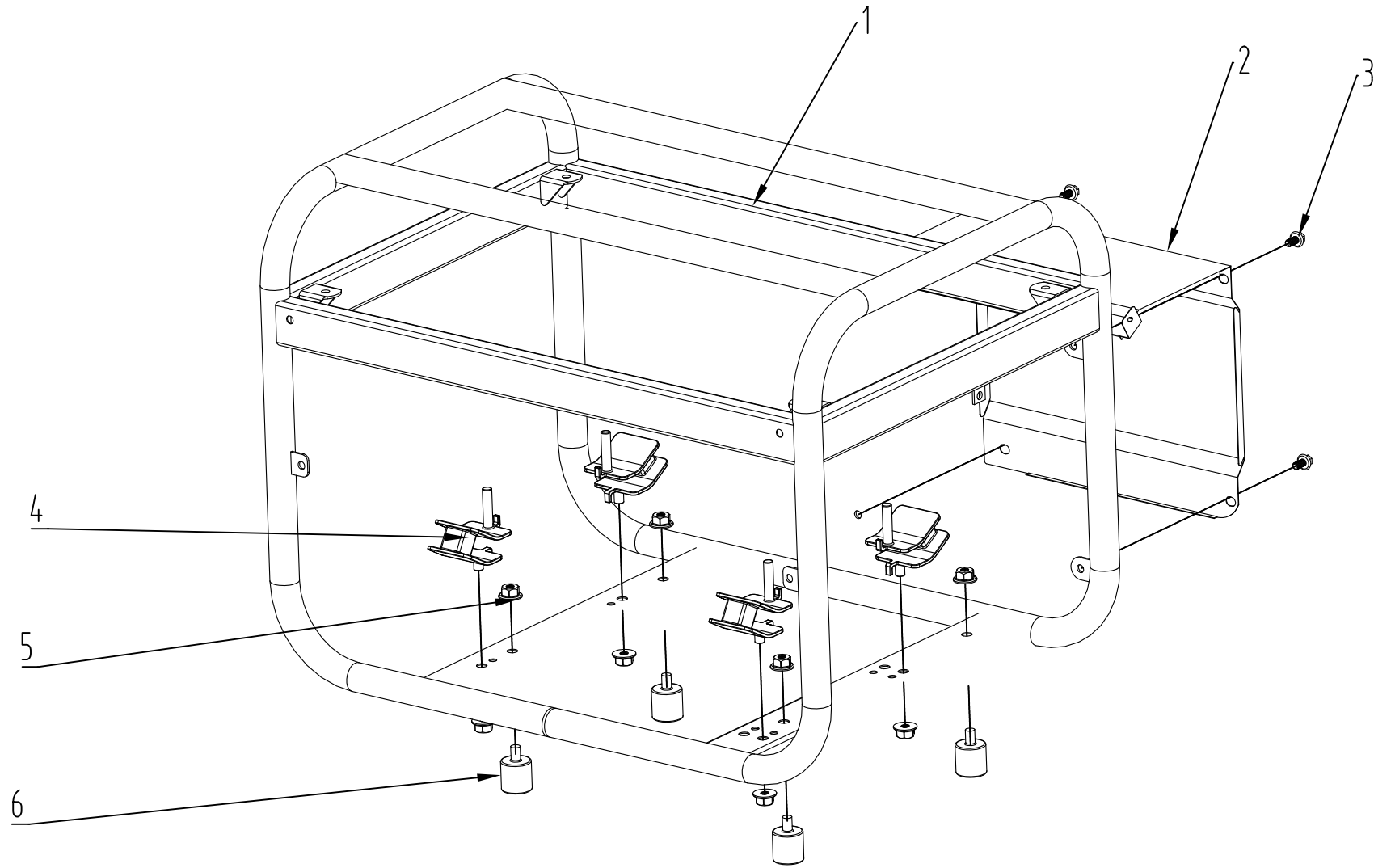
Engine Components list for PT2500 3/7

No	English Name	Number	No	English Name	Number
1	Flange Bolt M6×8	3	43	Air cleaner gasket	1
2	Recoil starter	1	44	Carburetor	1
3	Flange Bolt M6×12	4	45	Carburetor gasket	1
4	Fan Cover	1	46	Carburetor Insulator	1
5	Flywheel Nut M14×1.5	1	47	Carburetor Insulator Gasket	1
6	Starting Cup	1	48	Stud Bolt M6×90	2
7	Fan	1	49	Cylinder head	1
8	Flywheel	1	50	Cylinder head gasket	1
9	Governor Pull Rod	1	51	Intake Valve	1
10	Small Governor Spring	1	52	Exhaust Valve	1
11	Governor Arm	1	53	Valve Lifter	2
12	Set Governor Spring	1	54	Camshaft	1
13	Flange Nut M6	1	55	Breather tube	1
14	Gasket 6	1	56	Exhaust Valve Hat	1
15	Governor Lever	1	57	Exhaust Valve Spring Retainer	1
16	Square Bolt M6×21	1	58	Intake Valve Spring Retainer	1
17	Set Governing base	1	59	Valve Spring	2
18	Oil seal	2	60	Sparkplug	1
19	Flywheel Plate	1	61	Flange Bolt M6×12	4
20	Drain Plug	2	62	Cylinder head cover	1
21	Drain Plug Gasket	2	63	Cylinder head cover gasket	1
22	Flange Bolt M6×12	1	64	Rocker Nut	2
23	Interdiction Organ	1	65	Rocker adjust Nut	2
24	Crankcase	1	66	Rocker arm	2
25	Crankcase Pin φ8×14	2	67	Rocker Bolt	2
26	Oil Sensor	1	68	Push-Rod Keep Frame	1
27	Flange Bolt M6×12	2	69	Push-Rod	2
28	Bearing 6205	2	70	Exhaust pipe Gasket	1
29	Governor Gear	1	71	Lead Wind Cover	1
30	Flywheel Key	1	72	Flange Bolt M6×8	2
31	Connecting rod Cover	1	73	Stud bolt M8×32	2
32	Connecting rod Bolt	2	74	Piston pin clip	2
33	Crankcase Gasket	1	75	Connecting rod body	1
34	Oil ruler	1	76	Muffler	1
35	Oil ruler Gasket	1	77	Nut M8	2
36	High Crankcase cover	1	78	Top compression ring	1
37	Flange Bolt M8×33	6	79	Second compression ring	1
38	Flange Bolt M6×25	2	80	Oil ring	1
39	High Voltage Bag	1	81	Piston pin	1
40	Cylinder Head Pin φ8×16	2	82	Piston	1
41	Flange Bolt M8×55	4	83	Crankshaft	1
42	Air Cleaner	1			



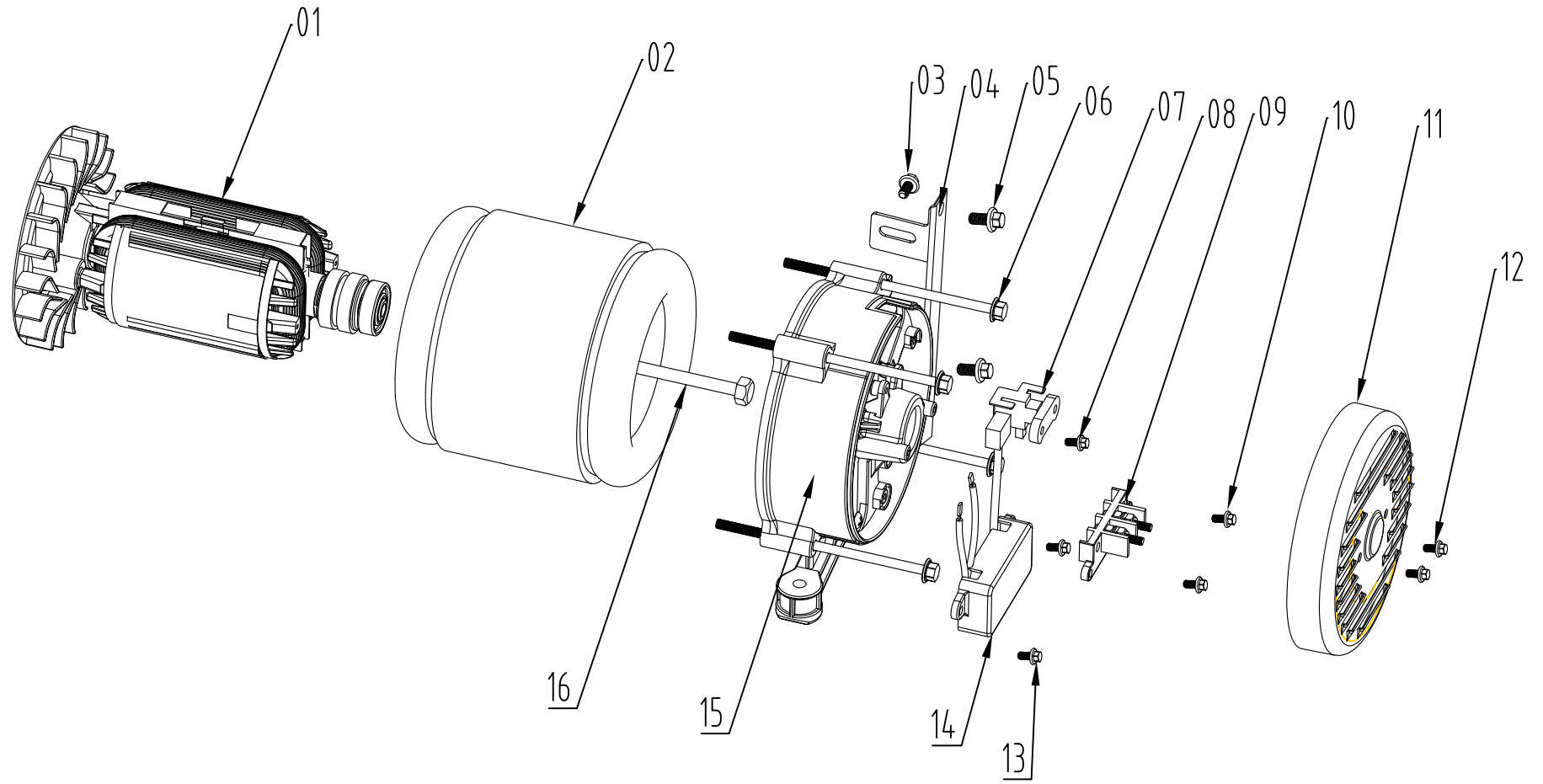
4	Iron gasket	8	Fuel Meter		
3	Iron cover	7	Filter net		
2	Rubber gasket	6	Fuel tank Cover	10	Fuel switch
1	Fuel tank	5	Bolt M6×25	9	Bolt M5×12
No	English	No	English	No	English

Itemref	Quantity	Title/Name, designation, material, dimension etc	Article No./Reference
Designed by XXX	Checked by XXX	Approved by - date XXX - 00/00/00	Filename Exploder
Date			Scale 1:1
Fuel tank parts Exploder			Edition 0
			Sheet 4/7



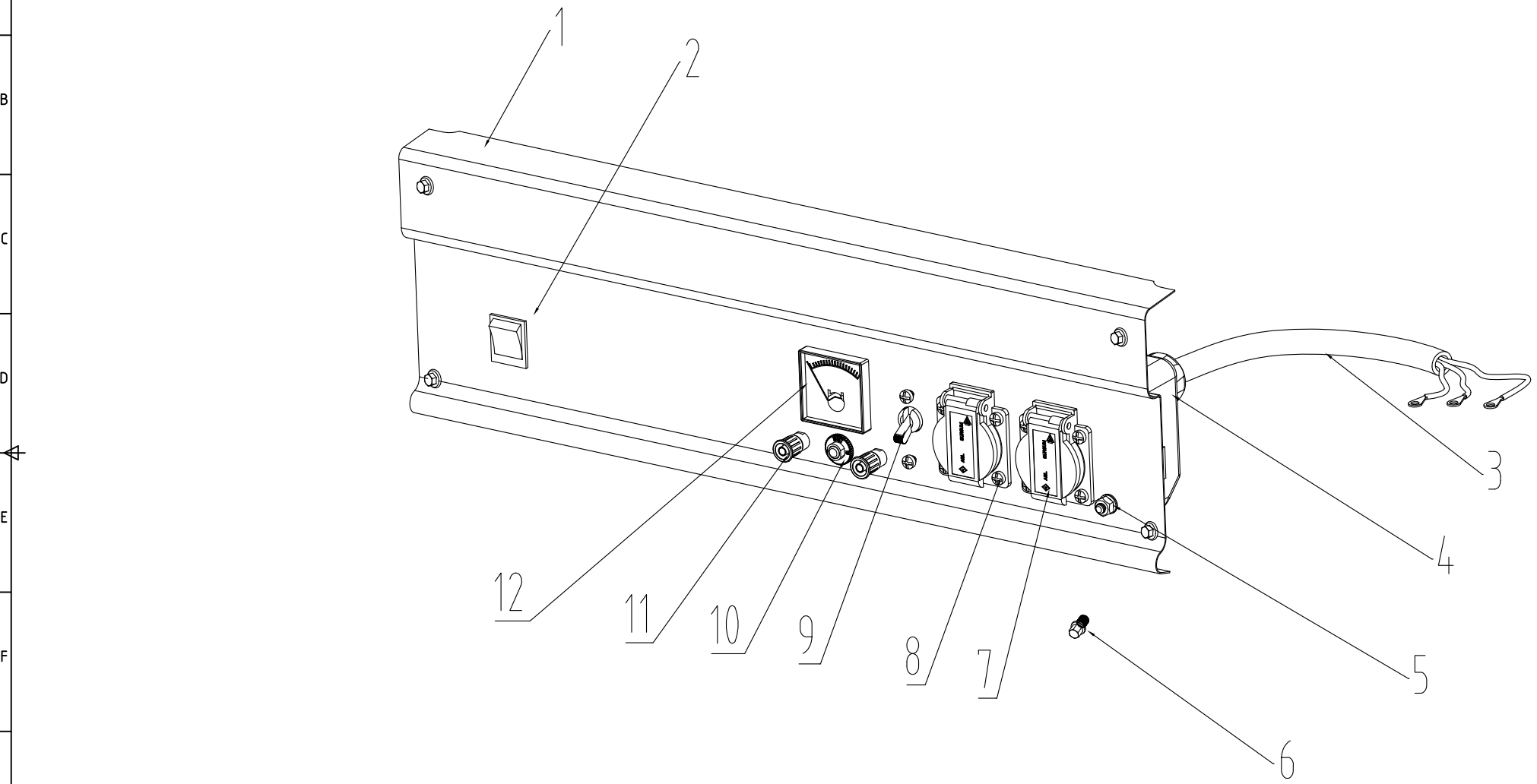
2	Guard plate	4	Shake Feet	6	Rubber feet
1	Frame	3	Bolt M6×12	5	Nut M8
Number	English	Number	English	Number	English

Itemref	Quantity	Title/Name, designation, material, dimension etc		Article No./Reference	
Designed by XXX	Checked by XXX	Approved by - date XXX - 00/00/00	Filename Exploder	Date	Scale 1:1
Frame parts Exploder				Edition 0	Sheet 5/7



4	Hang feet	1	8	Carbon brush Bolt M5×16	1	12	Back Cover bolt M5×8	2	16	Rotor bolt	1
3	Bolt M6×12	1	7	Carbon brush	1	11	Back Cover	1	15	Generator End Bell	1
2	Stator	1	6	Stator bolt	4	10	Junction Box Bolt M5×12	2	14	AVR	1
1	Rotor	1	5	Bolt M8×16	2	9	Junction Box	1	13	AVR Bolt M5×12	2
No	English	Number	No	English	Number	No	English	Number	No	English	Number

Itemref	Quantity	Title/Name, designation, material, dimension etc			Article No./Reference	
Designed by XXX	Checked by XXX	Approved by - date XXX - 00/00/00	Filename Exploder	Date	Scale 1:1	
Electrical machine Exploder				Edition 0	Sheet 6/7	



5	Earth bolt	10	DC Breaker		
4	Panel back cover	9	AC Breaker		
3	Inlet wire	8	Bolt M4×12		
2	Switch	7	AC Socket	12	Voltage meter
1	Control panel	6	Bolt M6×12	11	DC Terminal.
Number	English	Number	English	Number	English

Itemref	Quantity	Title/Name, designation, material, dimension etc			Article No./Reference	
Designed by XXX	Checked by XXX	Approved by - date XXX - 00/00/00	Filename Exploder	Date	Scale 1:1	
Control panel Exploder				Edition 0	Sheet 7/7	

Legenda esploso 65122P / PT3000

Parte nr.	Codice	Descrizione (ITA)	Description (ENG)	EAN
14	65310	AVR	AVR	8028815653107
1+2+16	94118	alternatore statore + rotore	alternator (stator + rotor assembly)	8028815941181
39	94132	bobina	coil	8028815941327
from 44 to 47	94150	carburatore	carburetor including gaskets	8028815941501
42	94206	filtro aria completo di supporto	air cleaner assembly	8028815942065
50	94243	guarnizione testata	cylinder head gasket	8028815942430
12	94293	presa 16A generatore 4T	AC socket 16A	8028815942935
2	94300	interruttore generale accensione ON/OFF	ON/OFF switch	8028815943000
10	94379	rubinetto carburante	fuel switch	8028815943796
9	94425	interruttore magnetotermico	AC breaker	8028815944175
12	94481	voltmetro analogico	voltage meter	8028815944816
from 1 to 10	94517	serbatoio carburante	Fuel tank assembly	8028815945172
4	94606	supporti motore antivibrazione	shake feet	8028815946063
34	94706	tappo olio motore	oil ruler	8028815947060
76	94806	terminale di scarico	muffler	8028815948067